

Black

MILLWORK CO., INC.

Introduction of the NEW Wood Aluminium Clad Casement Window Range. Quality as Standard, Not an Option.



Manufactured from Quality knot free Laminated / Engineered Baltic Pine with aluminium clad exteriors.

Windows are supplied aluminium clad fully finished in White as standard RAL 9010, with options for any RAL colour.

Also units can be stained / lacquer finished internally.

Available in solid Oak & Ash interiors.

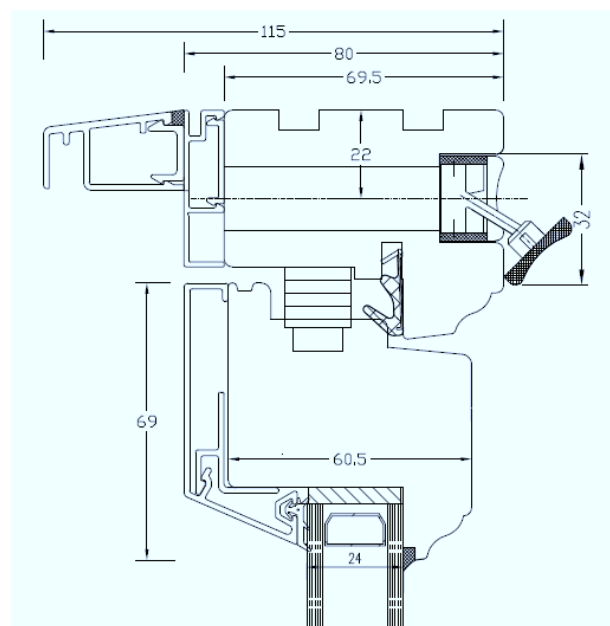
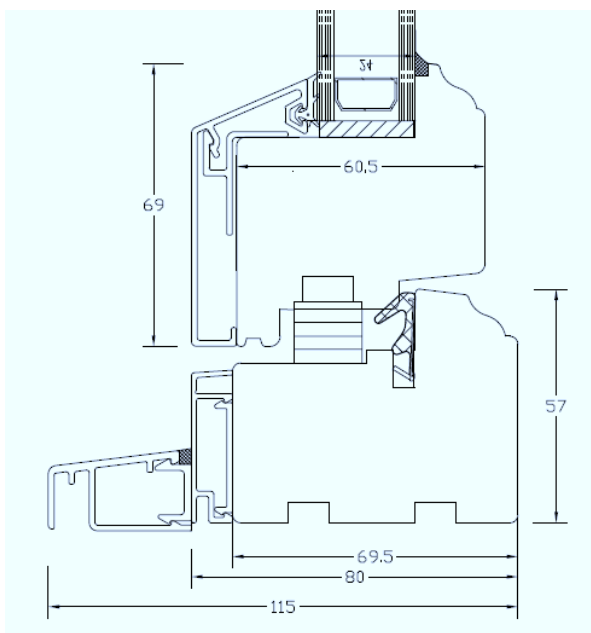
Units are Glazed as standard with Pilkington Low E 24mm Double Glazing with 90% Argon Gas Fill , with Upgraded Thermix Spacer Bar, U Value 1.4.

Winlock multipoint locking mechanism and hinges. Winlock furniture fitted as standard, Polished Chrome key locking handles. Also available in White, Brushed Chrome, Brass and Black. Custom furniture RAL colours upon request.

Flush frames 80mm with 84mm sill. Optional sills 35mm and 134mm.

Titon Trimvents Xtra R16 fitted as standard through head jamb.

Units come with extensive Warranties, 10 years sealed units and hardware, 2 years paint finish exterior 5 years interior, 10 years on timbers.



Description

Aluminium Clad Flush side hung Casement units. Fully Finished in White with Sigma paints.

Frame & Sash Materials

Engineered Baltic Pine (knot free) with Aluminium Clad Exteriors.

Preservation

All timber components are pressure impregnated with Sigma preservative to prevent against insect and fungal attack.

Factory Finish

Windows are supplied fully finished in White RAL 9010 as standard, with options for any RAL colour.

Also options for dual colour frames, or painted exterior lacquer interior, or stain / lacquer finish interior and exterior.

Furniture

Supplied Polished Chrome as standard, options of White Silver, Brass and Black.

Custom RAL colours upon request.

Grilles

FDL, 19mm profile.

Weatherseal

Schlegel weather strips.

Glazing

Windows are factory glazed with Pilkington Low E glazing with upgraded Thermix Spacer and 90% Argon Gas fill, 24mm (4-16-4) tested to EN1279
U Value 1.4.

Sills

Sills may be supplied 84mm standard projection or with options of 35mm and 134mm projections.

Ventilation

Titon Trimvents Xtra R16 fitted as standard.

Mechanisms

Winlock multipoint locking mechanism and hinges.
Winlock furniture.

Sizing For BS7950

Min width 400mm, Max width 828mm

Min height 400mm, Max height 1740mm

With max height of 1500mm the max width is 1075mm

Guarantees

10 years on sealed units and hardware, 2 years on paint finish against fading, 10 years on timber portions.



Black Millwork Co Inc

Andersen House
Dallow Street
Burton on Trent
Staffordshire
DE14 2PQ

Phone: 01283 511122

Fax: 01283 510863

E-mail: info@blackmillwork.co.uk

Web: www.blackmillwork.co.uk

