

# Black

MILLWORK CO., INC.

## Introduction of the NEW High Performance H Type Window Range. Quality as Standard, Not an Option.



Manufactured from Quality knot free Laminated / Engineered Baltic Pine.

Windows are supplied fully finished in White as standard RAL 9010, with options for any RAL colour.

Also options for dual colour frames, or painted exterior lacquer interior, or stain / lacquer finish interior and exterior.

Available in solid Oak & Ash.

Also available Aluminium Clad with Pine Oak interiors.

Standard RAL colours available.

5003,7015,7016,7037,7040,7043,7047,8014,8017,8019,9006,9007, 9010,9011,9016,9017.

Other RAL colours optional.

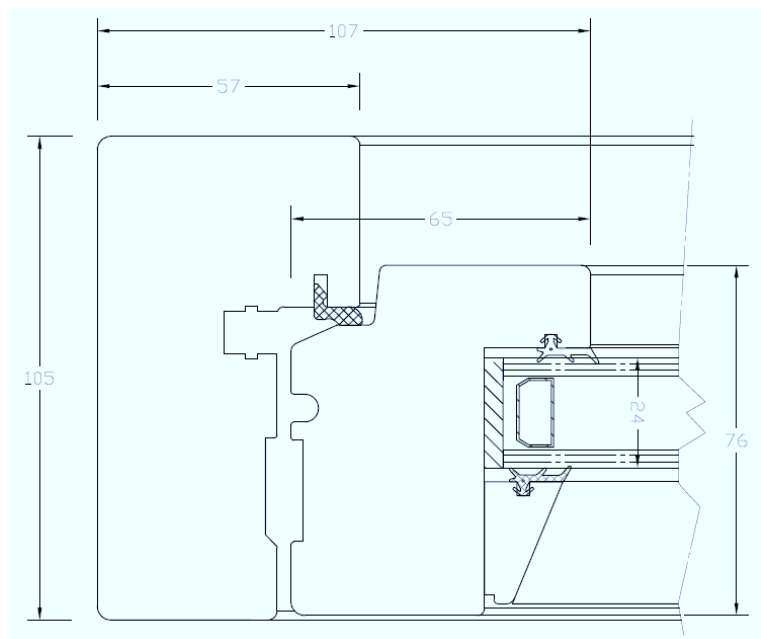
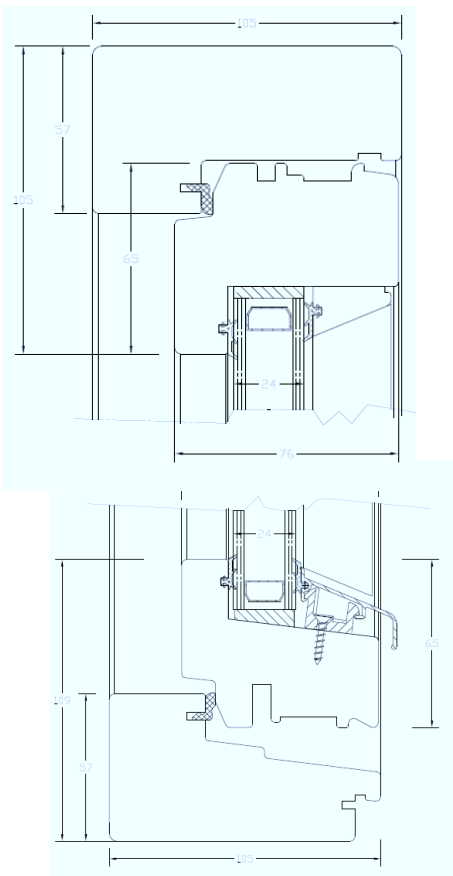
Units are Glazed as standard with Pilkington Low E 24mm Double Glazing with 90% Argon Gas Fill , with Upgraded Thermix Spacer Bar. U Value 1.0.

Spilka hinges and locking mechanism. Winlock furniture available as standard Polished Chrome key locking handles. Also available in White, Brushed Chrome, Brass and Black.

Frame 105mm x 57mm.

Titon Trimvents Xtra R16 available upon request.

Units come with extensive Warranties, 10 years sealed units and hardware, 5 years paint finish, 10 years on timbers.



## Description

H type unit (fully reversible). Fully Finished in White with Remmers primer ZW-400 and finish top coat DW-690.

## Frame & Sash Materials

Engineered Baltic Pine (knot free).

## Preservation

All timber components are pressure impregnated with Remmers Induline GL-350 to prevent against insect and fungal attack.

## Factory Finish

Windows are supplied fully finished in White RAL 9010 as standard, with options for any RAL colour.

Also options for dual colour frames, or painted exterior lacquer interior, or stain / lacquer finish interior and exterior.

Also available Aluminium Clad with Pine and Oak.

Standard RAL colours available.

5003,7015,7016,7037,7040,7043,7047,8014,8017,8019,9006,9007,9010,9011,9016,9017.

Other RAL colours optional.

## Furniture

Winlock furniture fitted as standard, Polished Chrome key locking handles. Also available in White, Brushed Chrome, Brass and Black.



## Weatherseal

Schlegel weather strips.

## Glazing

Windows are factory glazed with Pilkington Low E glazing with upgraded Thermix Spacer and 90% Argon Gas fill, 24mm (4-16-4) tested to EN1279  
U Value 1.0.

## Ventilation

Titon Trimvents Xtra R16 available upon request.

## Mechanisms

Spilka Hinges and locking mechanism.

## Water Drip

White, Silver, Bronze, Dark Brown.

## Grilles

FDL, 19mm profile.

## Sizing

Max width 2488mm to 530mm Height

Max height of window 1588mm to 1188mm width

Min width of window 488mm

Min height of window 488mm

## Guarantees

10 years on sealed units and hardware, 5 years on paint finish against fading, 10 years on timber portions.

## Black Millwork Co Inc

Andersen House  
Dallow Street  
Burton on Trent  
Staffordshire  
DE14 2PQ

Phone: 01283 511122

Fax: 01283 510863

E-mail: [info@blackmillwork.co.uk](mailto:info@blackmillwork.co.uk)

Web: [www.blackmillwork.co.uk](http://www.blackmillwork.co.uk)

